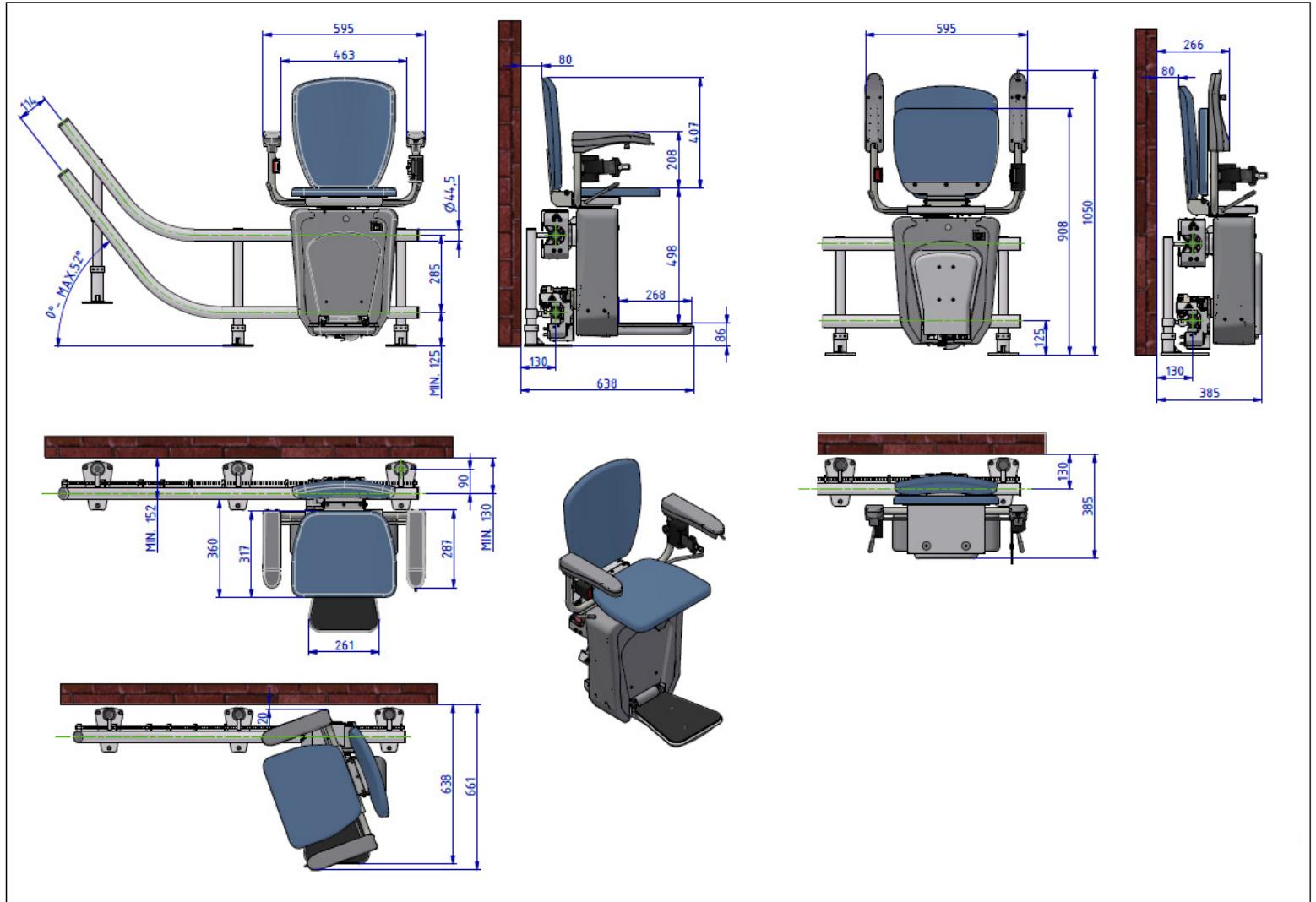




Leo EXTRA

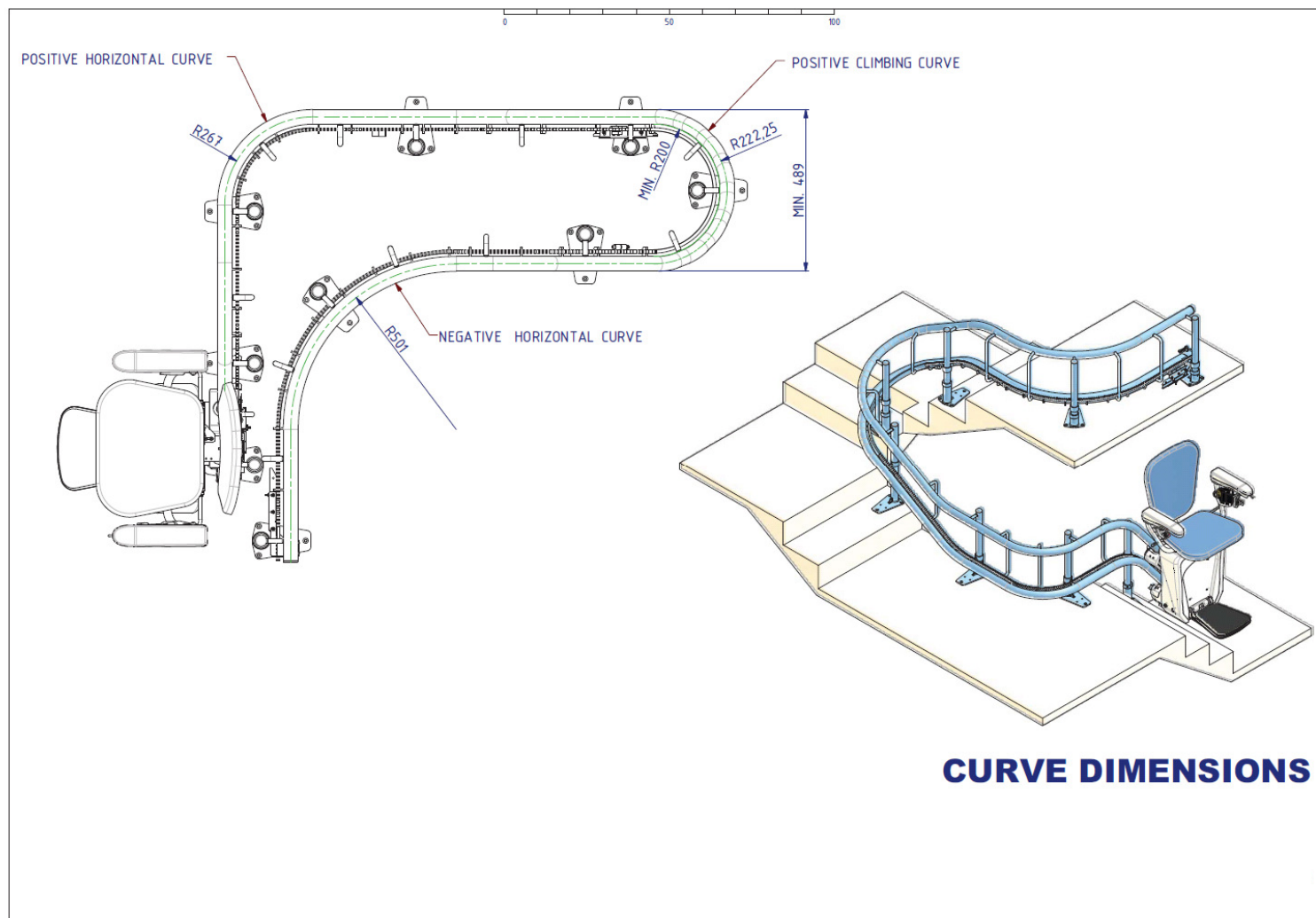


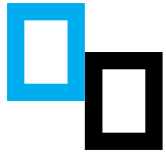
Globus TT AB
Svalstavägen 1
SE-611 50 Nyköping
Sweden

Tel +46 155-20 55 00
E-mail info@globustt.se

Org nr 556433-0933
Vat nr SE556433093301

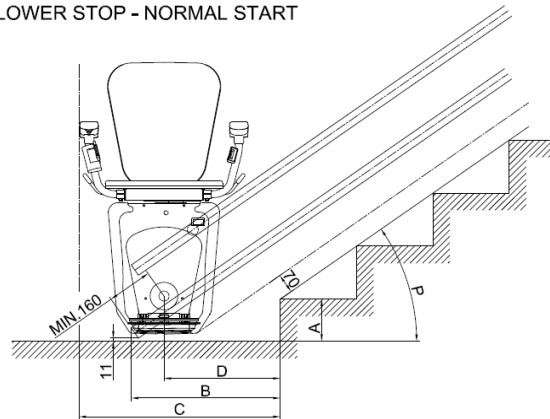
www.globustt.se





Globus
TILLFÖR TILLGÅNGLIGHET®

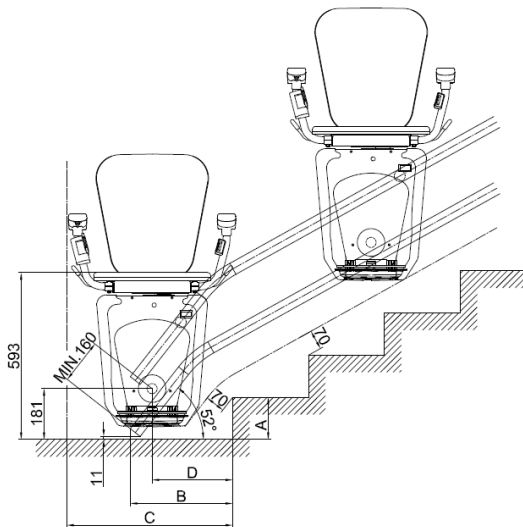
LOWER STOP - NORMAL START



40°	468	663	362	486	679	380	509	703	404
35°	527	712	411	548	732	433	577	760	461
30°	607	783	481	632	807	507	667	841	542
25°	711	880	578	744	910	610	787	952	653
P	B	C	D	B	C	D	B	C	D
	A=150			A=165			A=180		

- A ... HEIGHT OF THE FIRST STEP
- B ... RAIL OVERHANG
- C ... SPACE FOR CHAIRLIFT
- D ... STOP POSITION
- P ... STAIRCASE INCLINATION

LOWER STOP - STEEP START



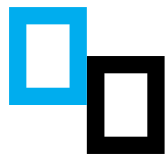
FIRST STEP HEIGHT A	RAIL OVERHANG B	SPACE FOR CHAIRLIFT C	STOP POSITION D
150	364	590	287
165	376	600	298
185	392	615	314

Globus TT AB
Svalstavägen 1
SE-611 50 Nyköping
Sweden

Tel +46 155-20 55 00
E-mail info@globustt.se

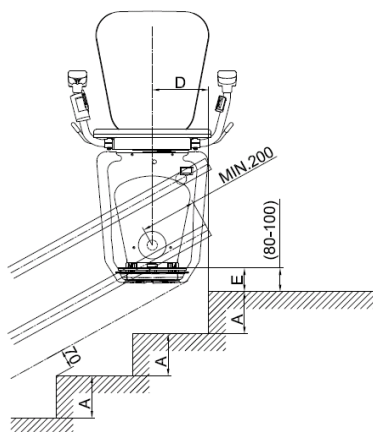
Org nr 556433-0933
Vat nr SE556433093301

www.globustt.se



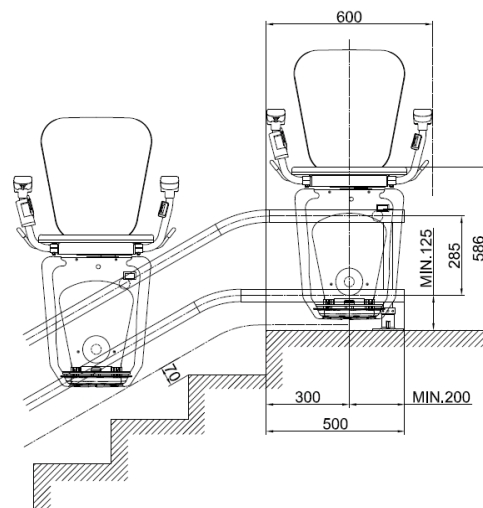
Globus
TILLFÖR TILLGÅNGLIGHET®

UPPER STOP LOCATED AT THE EDGE OF LAST STEP



HEIGHT OF STEPS A	STOP POSITION D	FOOTREST HEIGHT E
150	200	85
165	190	88
185	180	93

UPPER STOP LOCATED BEHIND THE EDGE OF LAST STEP
ON HORIZONTAL PART



Globus TT AB
Svalstavägen 1
SE-611 50 Nyköping
Sweden

Tel +46 155-20 55 00
E-mail info@globustt.se

Org nr 556433-0933
Vat nr SE556433093301

www.globustt.se