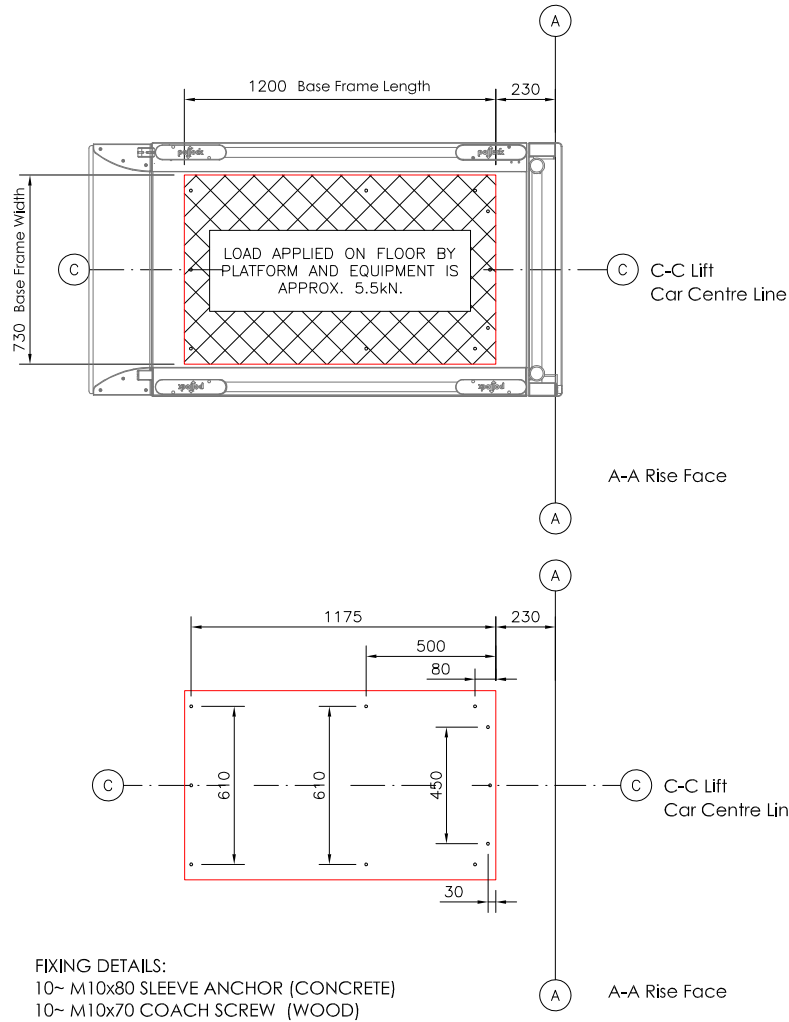
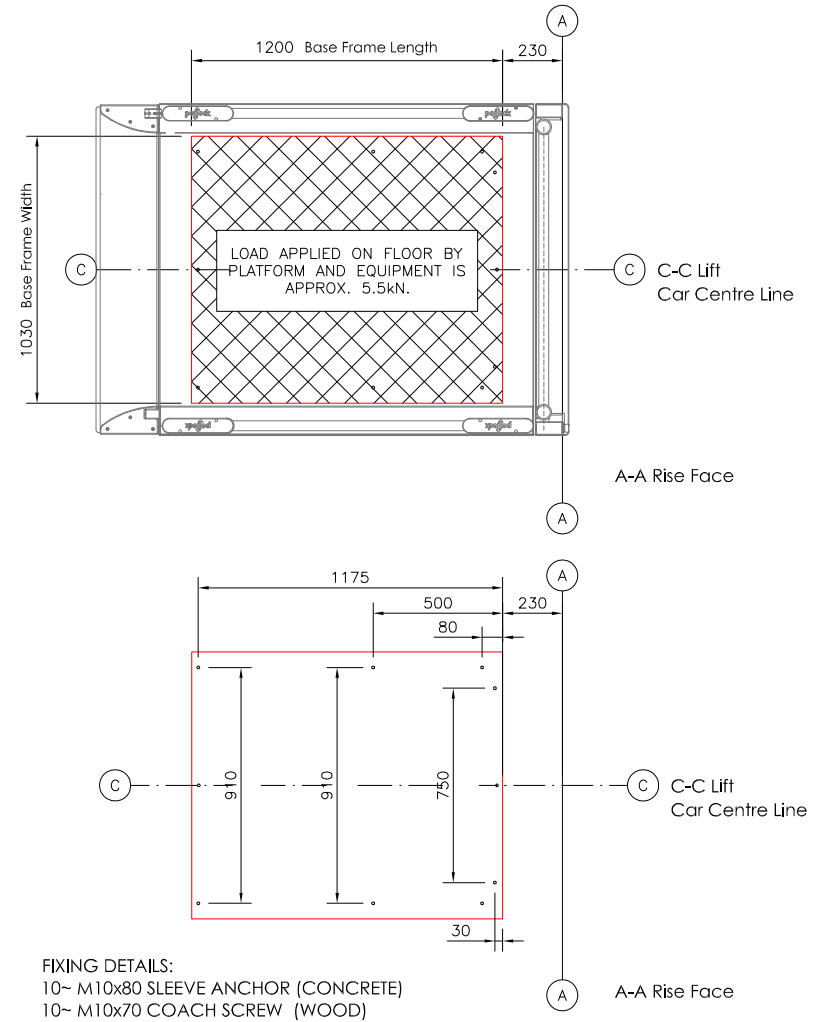


1m Steplift 800W  
1m Steplift 900W



1m Steplift 1100W



Change History Record

Issue	CHANGE No.	DATE	INITIALS
A	-----	27/01/14	TL
B	-----	10/04/14	TL
C	CR0742	01/07/14	TL

APPROVAL	APPROVED WORKING DRAWING	
	BY:.....	COMP:.....
	SIGNED:.....	DATE:.....

PLATFORM SIZE	800W / 900W /1100W
TRAVEL	(MIN 100mm MAX 1000mm) .....mm TBC

COPYRIGHT

**Globus**  
TILLFÖR TILLGÄNGLIGHET®

UNIT 1 SLOEFIELD DRIVE  
CARRICKFERGUS  
COUNTY ANTRIM  
NORTHERN IRELAND  
BT38 8GX  
TEL: 00 44 (0) 28 93368167  
WEB: WWW.POLLOCKLIFTS.CO.UK

UNIT: STEPLIFT

NAME: CLASSIC and EXECUTIVE – THRU ACCESS – BASE DRAWING

40900950