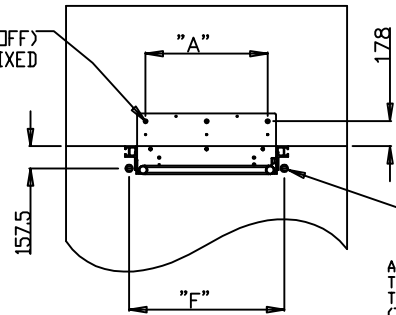


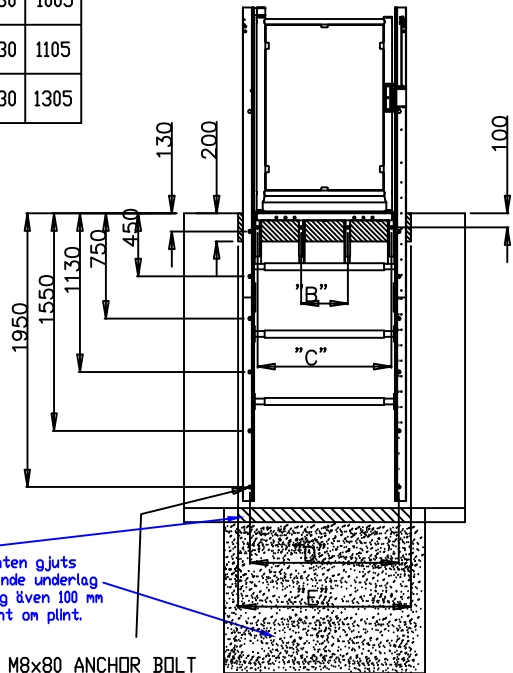
"CC Gejderinfästning"

M16x100 (3-OFF)  
CHEMICALLY FIXED



AREA AT FOOT OF RAILS  
TO CARRY 12kN UNDER  
THE AREA OF THE RAMS  
(706kN/m<sup>2</sup>)

LIFT VARIABLES:						
LIFT WIDTH	"A"	"B"	"C"	"D"	"E"	"F"
800	770	295	855	960	1130	1005
900	870	335	955	1060	1230	1105
1100	1070	395	1155	1260	1430	1305



Betongfundament.  
Vi förutsätter att plinten gjuts  
frostfritt med dränerande underlag  
typ singel för dränering även 100 mm  
Markskivor (Frigolit) runt om plint.

M8x80 ANCHOR BOLT  
(16-OFF)\*

\* DEPENDING ON RISE THE NUMBER OF ANCHOR  
BOLTS WILL REDUCE FROM THE BOTTOM UP

NOTES:  
DETERMINE THE TOTAL STRUCTURAL LOAD (P) = 14kNm FROM THE LOAD CHART  
ABOVE.

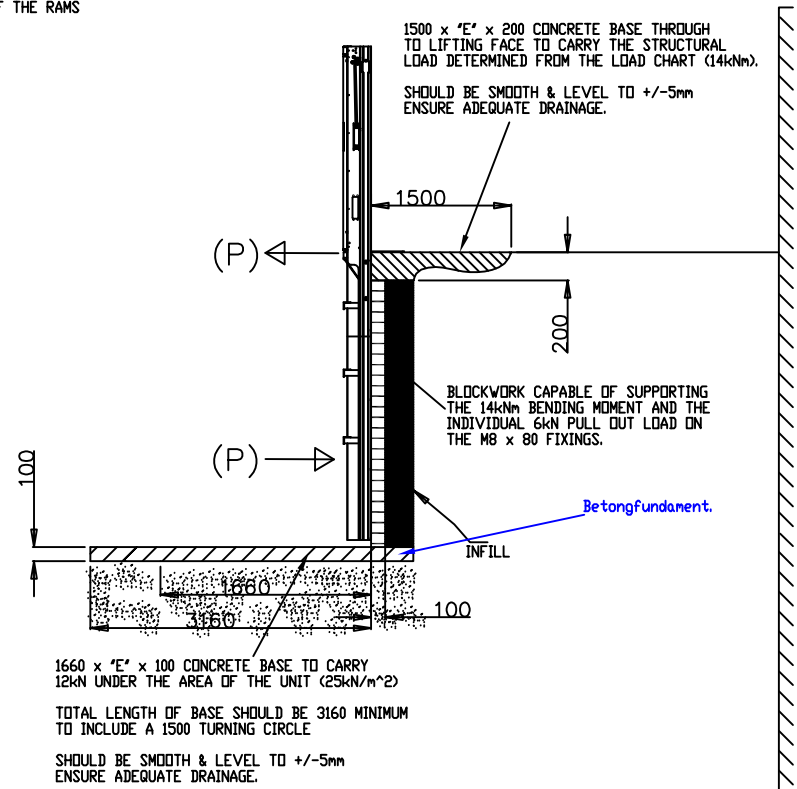
SHEAR LOAD PER M16x100 FIXING = P/2

PULL OUT LOAD PER M8x80 FIXING = 6kN

BENDING MOMENT ON LIFT FACE WALL = 14kNm

INDIVIDUAL FIXING LOADS ARE WORST CASE AND ARE NOT CUMULATIVE.

STRUCTURAL SUITABILITY OF SITE TO BE SIGNED OFF  
BY A STRUCTURAL ENGINEER



1500 x "E" x 200 CONCRETE BASE THROUGH  
TO LIFTING FACE TO CARRY THE STRUCTURAL  
LOAD DETERMINED FROM THE LOAD CHART (14kNm).  
SHOULD BE SMOOTH & LEVEL TO +/-5mm  
ENSURE ADEQUATE DRAINAGE.

BLOCKWORK CAPABLE OF SUPPORTING  
THE 14kNm BENDING MOMENT AND THE  
INDIVIDUAL 6kN PULL OUT LOAD ON  
THE M8 x 80 FIXINGS.

Betongfundament.

INFILL

1660 x "E" x 100 CONCRETE BASE TO CARRY  
12kN UNDER THE AREA OF THE UNIT (25kN/m<sup>2</sup>)

TOTAL LENGTH OF BASE SHOULD BE 3160 MINIMUM  
TO INCLUDE A 1500 TURNING CIRCLE

SHOULD BE SMOOTH & LEVEL TO +/-5mm  
ENSURE ADEQUATE DRAINAGE.

UNLESS SPECIFIED  
DIM LIMITS ARE  
MM NOMINAL

X.XXX	+/-0.05
X.XX	+/-0.25
X.X	+/-0.50
X	+/-1.00
ANG	+/-0.5

COATING:		
MATERIAL:		
<i>DETAIL of CHANGE:</i>		
CHANGE NO.	DESIGNER	DATE
CR0650	PAUL MITCHELL	02-Oct-09
SUPERSEDES:		
CR0650 - NOTE ADDED [E6].		
DO NOT SCALE IF IN DOUBT -- ASK		

LIFT TYPE:	PLATFORM
LIFT WIDTH:	ANY
LIFT DEPTH:	1400
HINGE SIDE:	EITHER
MODEL NAME:	2M_STEPLIFT
QTY / LIFT:	
SCALE 1:100	SHEET 1 of 1

Globus TT AB Globus Norma EXTRA Gjuten infästning och belastning
UNIT: 2m STEPLIFT
NAME: 2m STEPLIFT - LOADINGS
60900951

PROF/ENGINEER DRAWING

8

A4