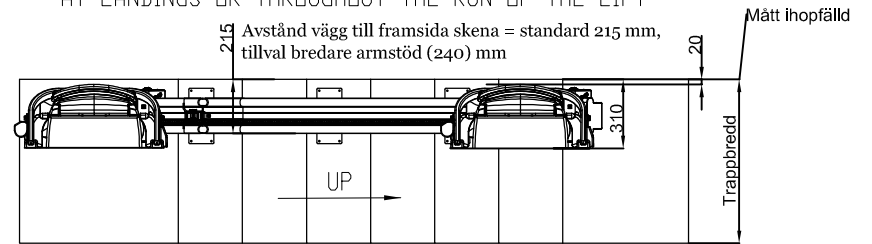
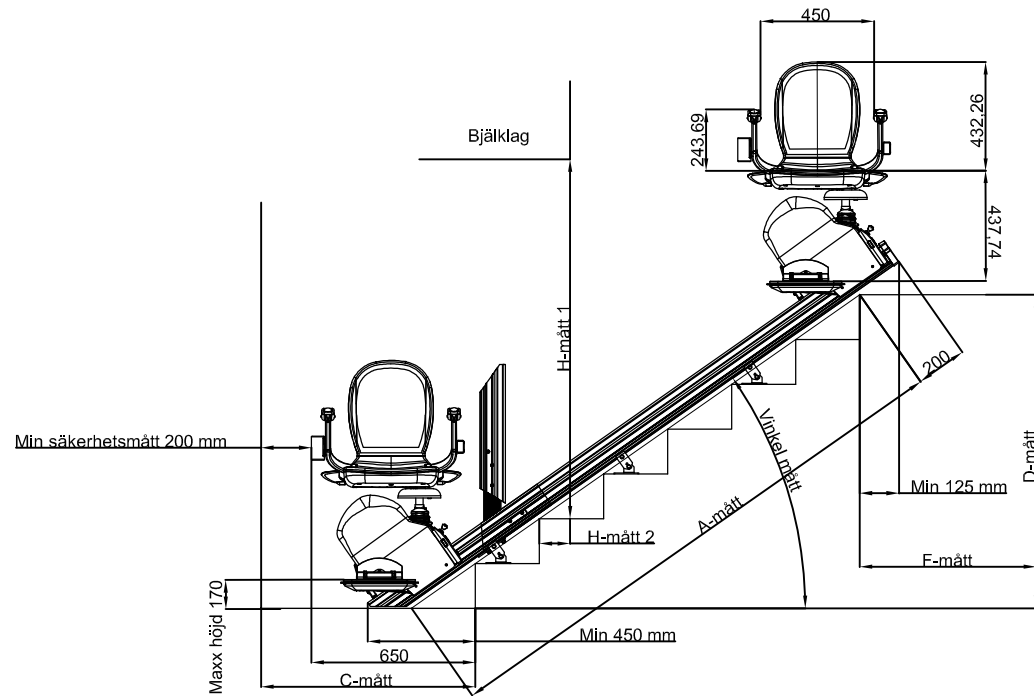


För bygganmälan  
Fastighetsbeteckningen:

NOTE: ALL CLEARANCES ARE CODE COMPLIANT, THERE ARE NO ENCRoACHMENTS AT LANDINGS OR THROUGHOUT THE RUN OF THE LIFT



AS DRAWN = LEFT HAND



ALL DIMS IN MM TOLERANCES						FINISH:		DO NOT SCALE DRAWING		REVISION	
						GENERAL SURFACE FINISH - 1.2µm TO 1.8 µm (UNLESS OTHERWISE STATED)		DEBUR AND BREAK SHARP EDGES			
ECN No.	REVISION	DESCRIPTION	DRAWN	CHK'D	APPV'D	DATE	DESCRIPTION:		DWG. NO.		
							Globus Nova 130 LH Indoor Full Stairlift - Hinged Rail		9124-01678		A3
						MATERIAL:		WEIGHT: (grams)		NOT TO SCALE SHEET 1 OF 1	