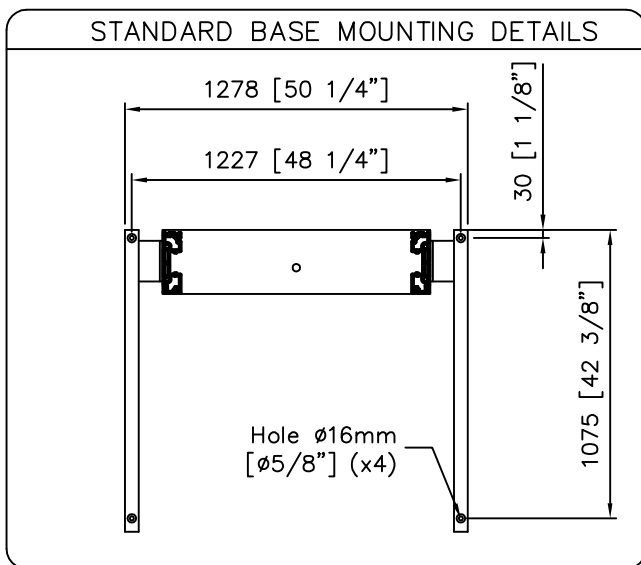
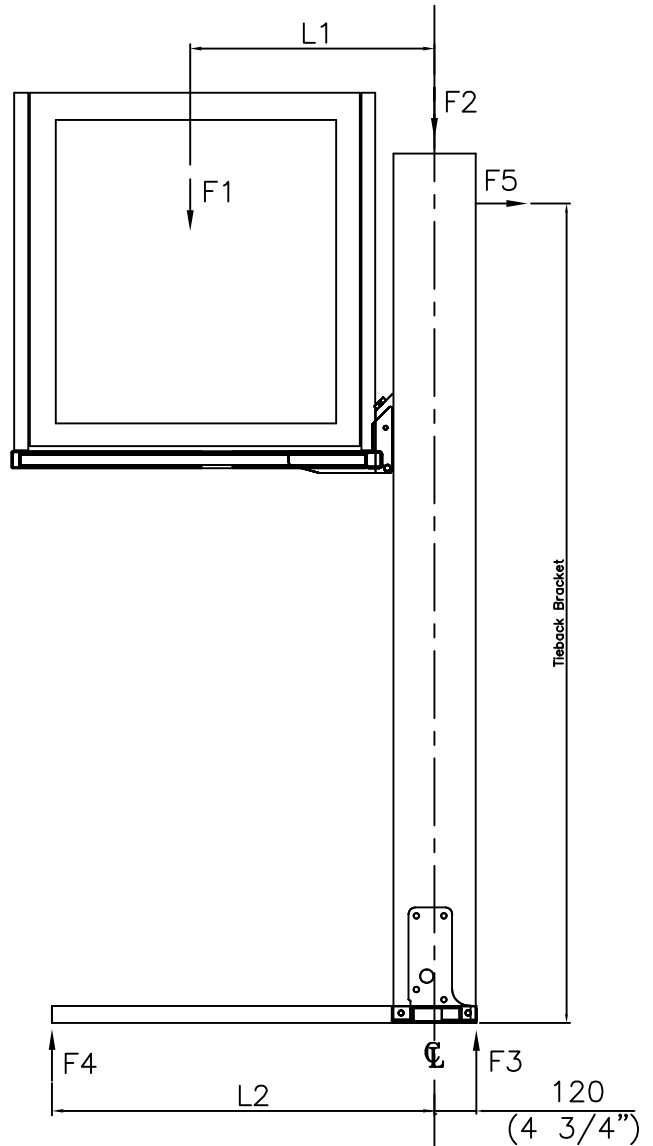


SYM.	DESCRIPTION	VALUE (MAX.)	
F1 =	1000 lb or 4448 N	PAYLOAD (MAX.)	3335 N [750 lb]
		CAR (PLATFORM) WEIGHT	1110 N [250 lb]
F2	MAST WEIGHT	1154 N [260 lb]	
F3	FLOOR REACTION	6083 N [1370 lb]	
F4	FLOOR REACTION	2597 N [585 lb]	
F5	TIEBACK BRACKET REACTION	2260 N [509 lb]	

PLATFORM SIZE	L1	L2
Standard	688 [27 1/8"]	1145 [45 1/8"]

MODEL	MAST HEIGHT	TIEBACK HEIGHT
72"	2498 [98 3/8"]	2333 [91 7/8"]



SPECIAL NOTE:
 These are reaction forces generated by the lift. Adhere to local building codes, regulations, and safety factors for supporting structures. Consult a structural engineer or architect in your jurisdiction.

DETAIL 1 – OPAL MODEL LOADING DIAGRAM

REV.	SCALE: SCALE	TOLERANCES: DIMENSIONAL DIMTOL	ANGULAR ANG TOL	UNITS: UNITS	DATE	AU	CHK.BY
				PROJECTION:	DATE	DRN.BY	CHK.BY
				GLOBUS POLLUX 340KG			
				2016-12-02			
					PAGE 1		

DWG-NO
 REBUILD-NO